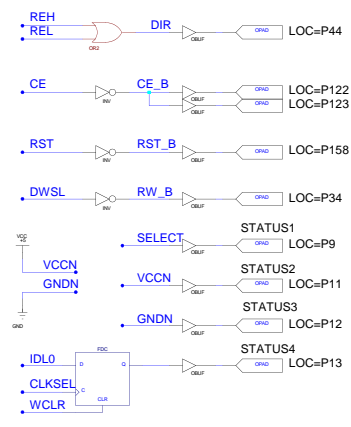
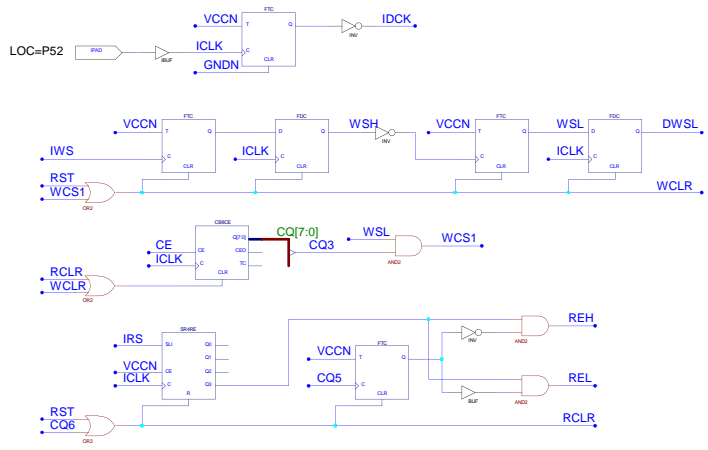
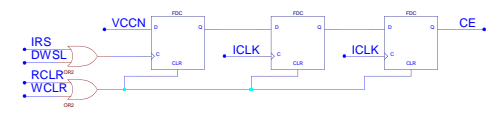


RST is for RST_B (CAM Reset) and RST (PQ160 internal Reset).
RW_B is for WRITE internal 16-bit bus.



This document was created with Win2PDF available at <http://www.daneprairie.com>.
The unregistered version of Win2PDF is for evaluation or non-commercial use only.