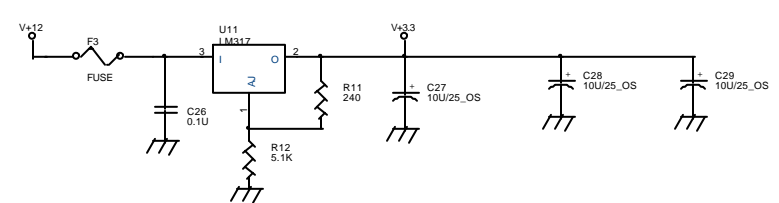
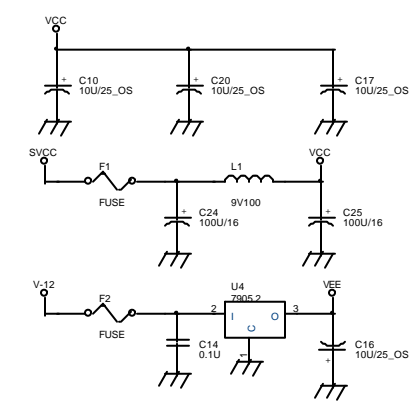
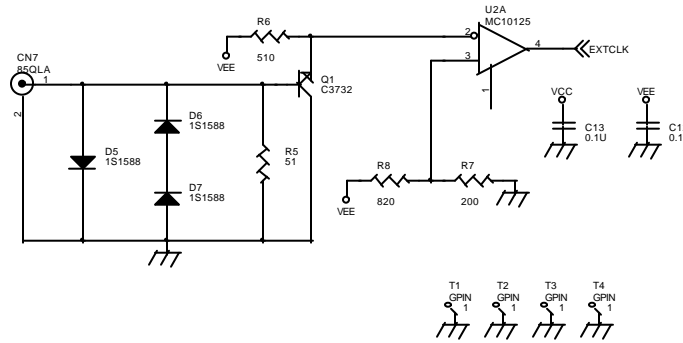
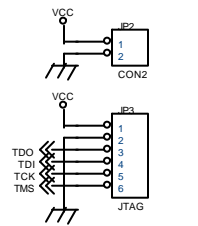
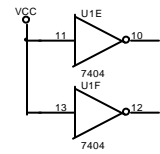
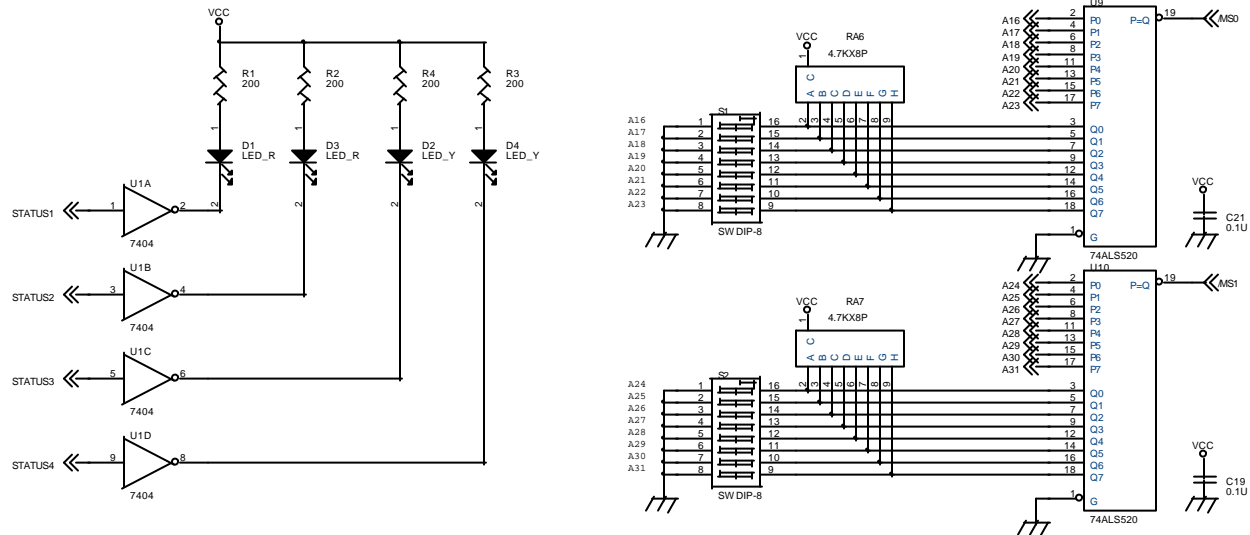


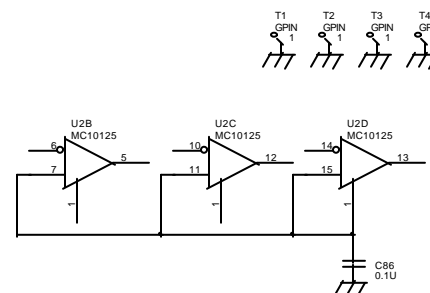
LINK
 CAMLS1_0_SCH
 CAMLS1_1_SCH
 CAMLS1_2_SCH
 CAMLS1_3_SCH
 CAMLS1_4_SCH
 CAMLS1_5_SCH

KEK SAKAJIJIITA			
CAMLSI BOARD			
Size	CAGE Code	DWG NO	Rev
C	(Cage Code)	CAMLSI_1_SCH	1
Thursday, November 25, 1999	Scale	Sheet	1 of 5

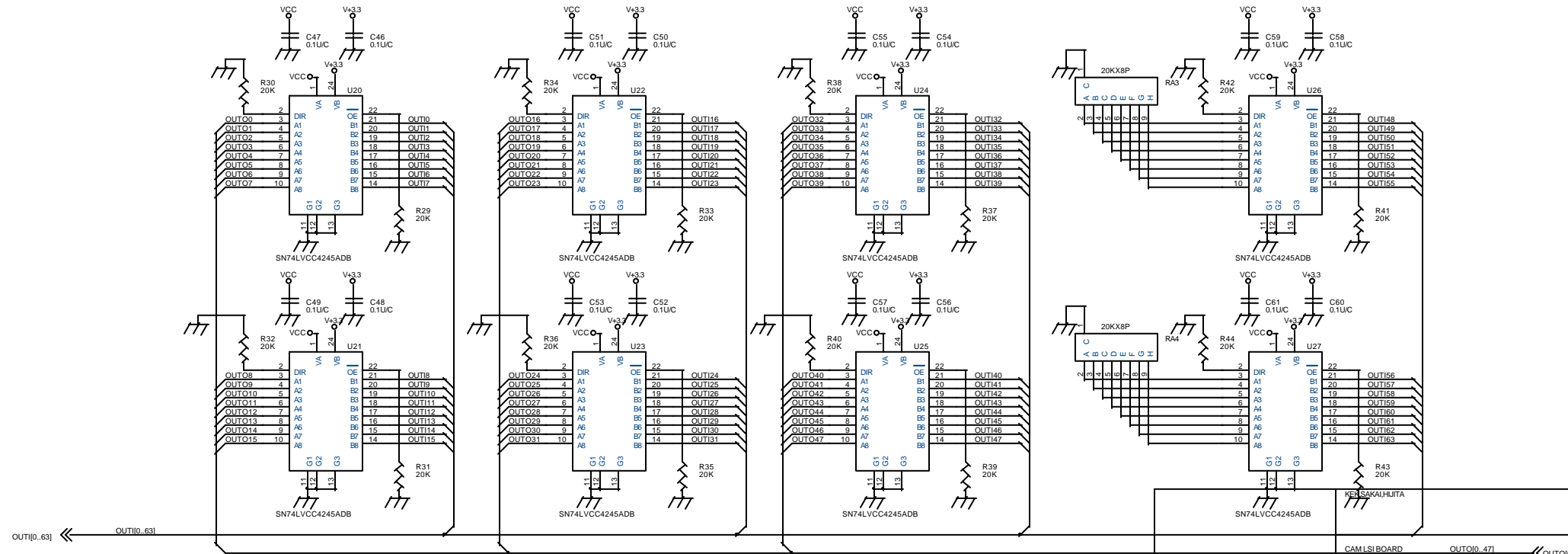
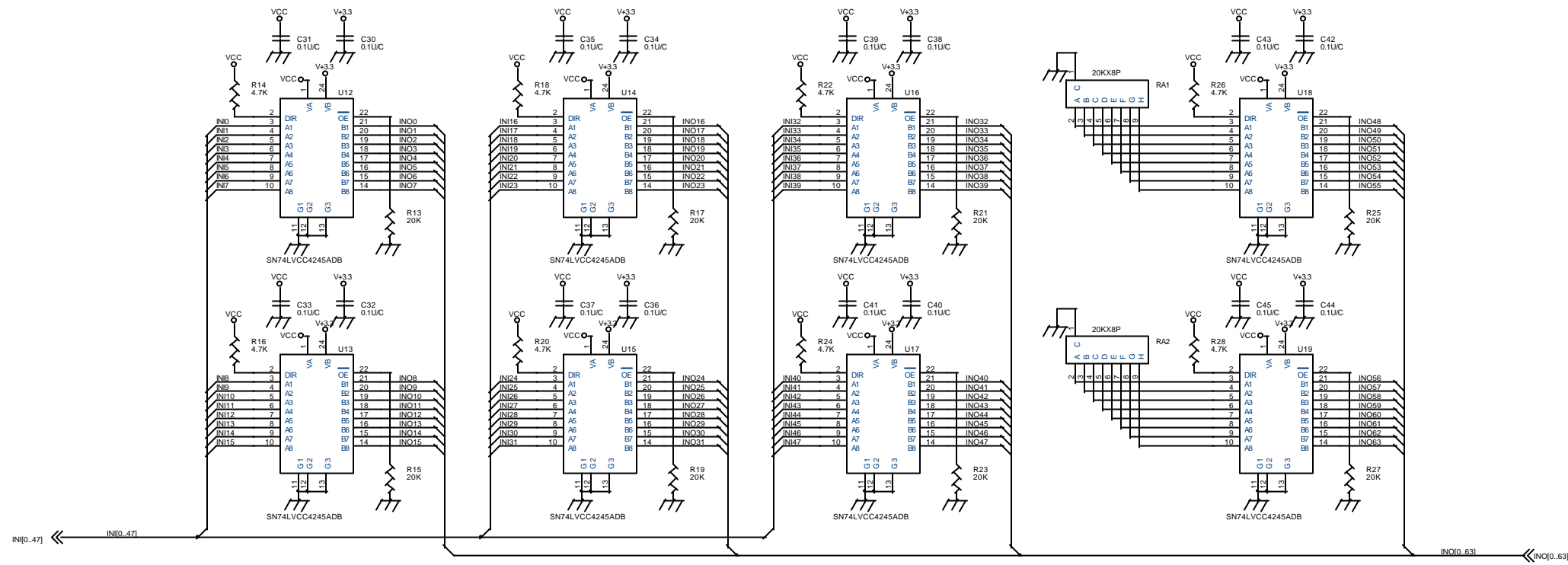
PWB=GN-9960-1



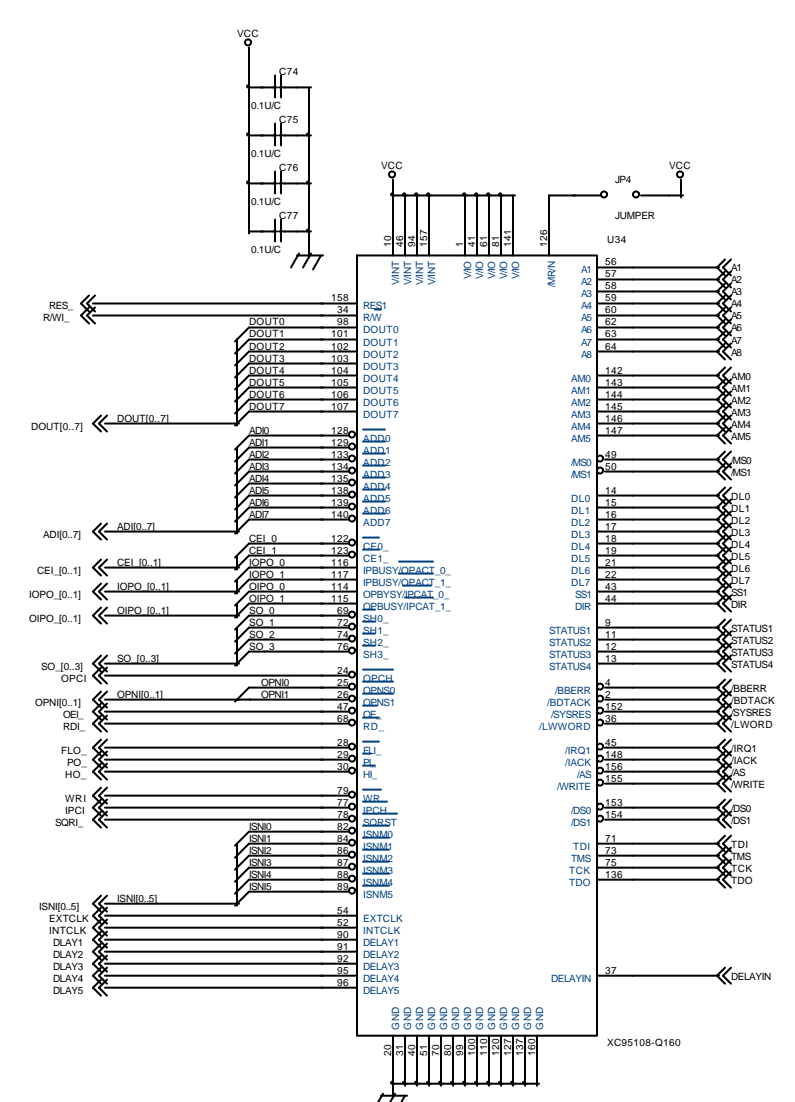
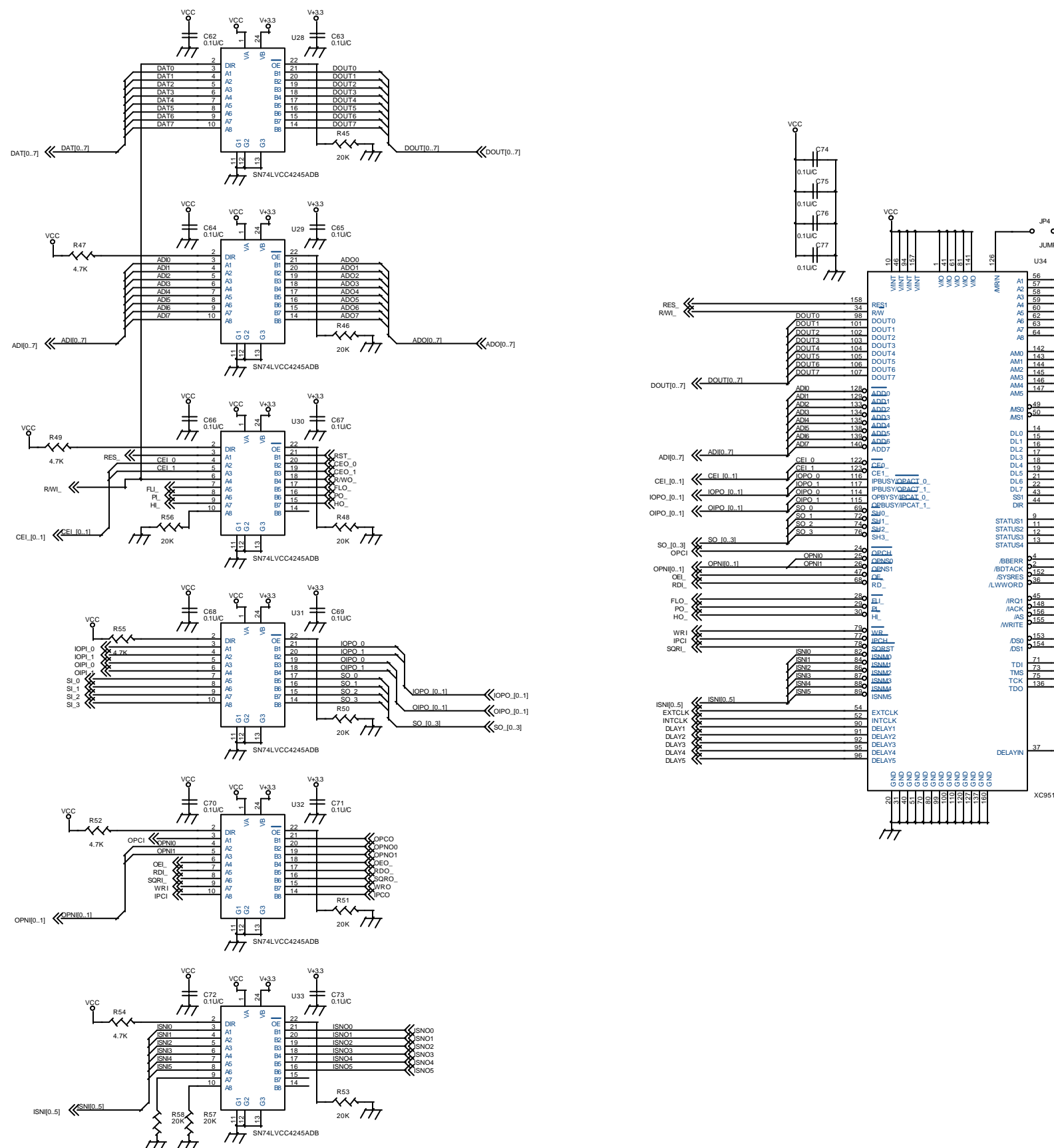
VCC = +5.0V
VEE = -5.2V



HEK SAKAJI HJUTA	
CAM LSI BOARD	
Size C	CAGE Code (Cage Code)
DWG NO CAMLSI_2.SCH	Rev 1
Thursday, November 25, 1999	Scale
Sheet	2 of 5



OUT[0..63] ← OUT[0..63] CAM LSI BOARD ← OUT[0..47] ← OUT[0..47]



KEK SAKALHJITA			
CAM LSI BOARD			
Size C	CAGE Code (Cage Code)	DWG NO CAMLSI_4.SCH	Rev 1
Thursday, November 25, 1999		Scale	Sheet 4 of 5

KEK SAKAJIJIUTA				
CAM LED BOARD				
Size	CAGE Code	DWGNO	Rev	
C	(Cage Code)	CAMLED_5.SCH	1	
Thursday, November 25, 1999		Scale	Sheet 5 of 5	

